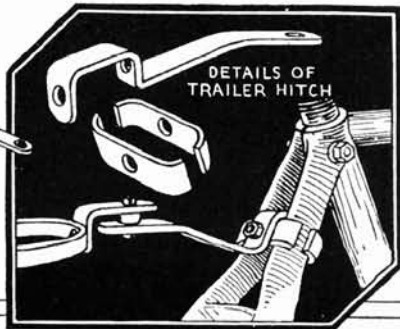
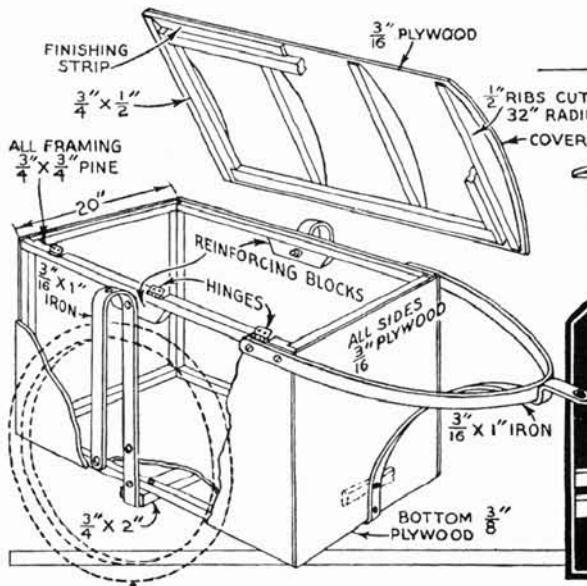
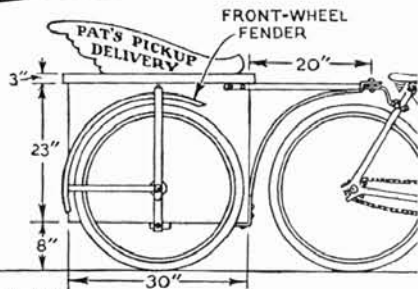
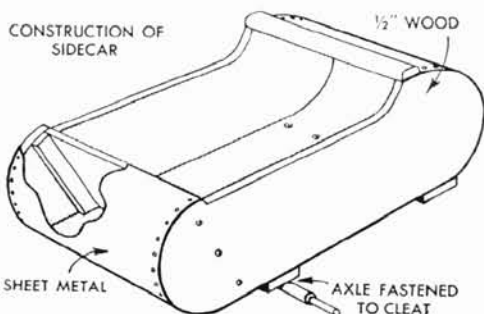
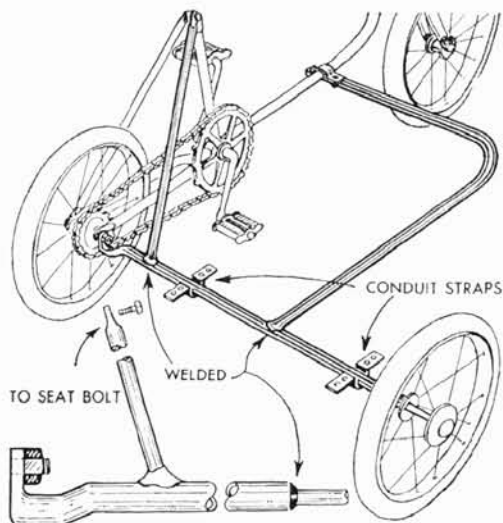


Bicycle Trailers

Above, Carl and Dick Gemin, of Dayton, Ohio, with Their Newspaper Delivery Trailer, Used to Cover a 5-Mile Route. Notice the Low Platform Enabling One to Hop On and Off. The Front Slips over a Pin on the Bicycle so That the Trailer Is Quickly Removed. Below, Light Plywood Trailer, with Hinged or Removable Top



Midget Sidecar for Junior's Sidewalk Bicycle



Here's a simple bicycle sidecar that is bolted to the bicycle at three points and can be attached or detached in a few moments. Besides carrying a passenger, the sidecar is handy on a newspaper route or for delivery of packages. The simple frame is made of $\frac{3}{4}$ -in. conduit, bent and welded together, while the body is assembled by screwing a piece of sheet metal onto duplicate wood sides. Two wood cleats screwed to the underside of the bottom give rigidity

and at the same time provide good solid surfaces for attaching the body to the frame with conduit straps screwed in place.

Jig Aids in Truing Bicycle Wheel When Tools Are Limited

The cyclist or owner of a small shop who wants to true or stripe a bicycle wheel oc-

asionally, but does not have the equipment, will find this little jig the solution to his problem. In use, the wheel is clamped in a vise by the spindle, and the jig is attached to the edge of the bench. In it can be held a small block for truing the wheel, or a brush for striping it.



Bicycle Handlebar Has Reflectors

One boy who used his bicycle at night put red reflectors in rear ends of the handlebar grips in addition to a large one on the rear fender. To install the reflectors, rear ends of grips are cut out, leaving enough rubber at the outside to serve as a retaining edge.

